

Pressure transmitter



For general industrial applications

PT-A

Applications:

- Machine building
- Hydraulics and pneumatics
- Pumps and compressors
- Service tasks

:

Special features

- Measuring ranges from -1 ... 5 to 0 ... 1000 KG/CM²
- Accuracy $\leq \pm 0.5\%$ or $\pm 0.25\%$
- Can be corrected:
- Output 4 ... 20 mA, DC 0 ... 10 V, DC 0 ... 5 V and others
- Electrical connection: Angular connector form A and C, circular connector M12 x 1, cable outlet 2 m
- Process connection G 1/4 A DIN 3852-E, 1/4 NPT and others

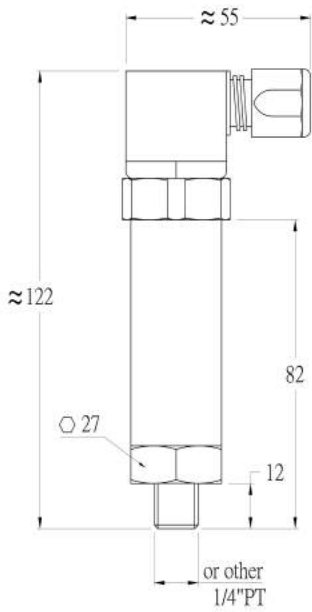


Accuracy	:	$\pm 0.5\%$ Of F.S. $\pm 0.25\%$ Of F.S.
Ambient & Medium	:	-10~80 °C
Storage	:	-40~70 °C
Reverse polarity protection	:	UB vs. 0V no reverse polarity protection with ratiometric output signal
Insulation voltage	:	DC 500 V

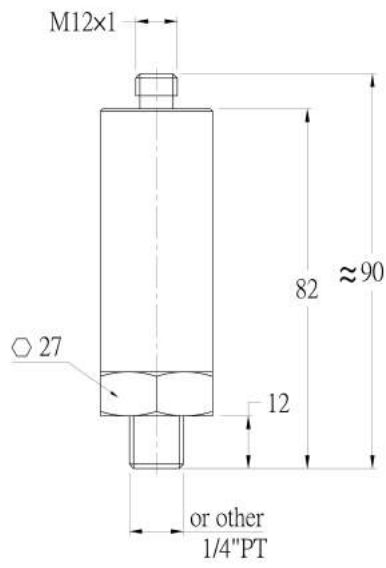
Case	:	AIS I304 SS
Wetted parts	:	AIS I316 SS
Sensor	:	Diffusion Silicon
Sensor element	:	PH grade steel
Pressure transmission medium	:	Synthetic oil
Service life	:	10 million load cycles

Protection	:	IP 67
Power Supply	:	12~30VDC
Control Signal	:	4~20mA , DC0~10V , DC0~5V
Non-repeatability	:	$\leq 0.1\%$ of span
Signal noise	:	$\leq \pm 0.3\%$ of span
Long-term drift	:	$\leq \pm 0.1\%$ of span

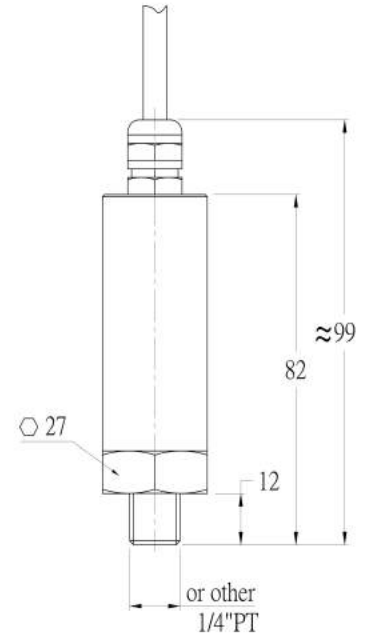
Dimensions mm



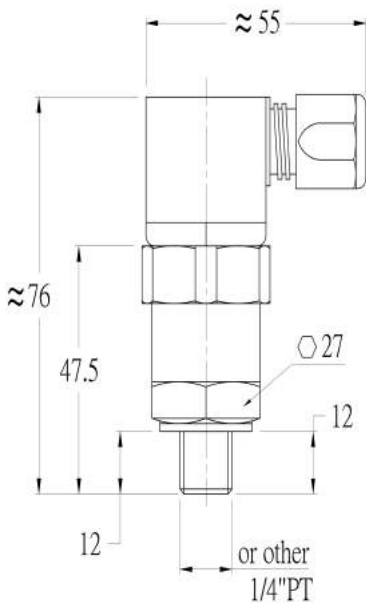
with angular connector form A



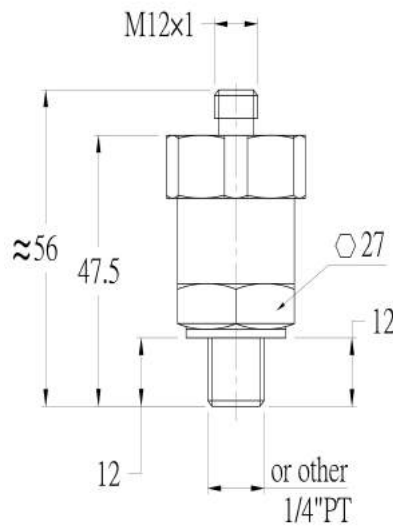
with M12 x 1 circular connector



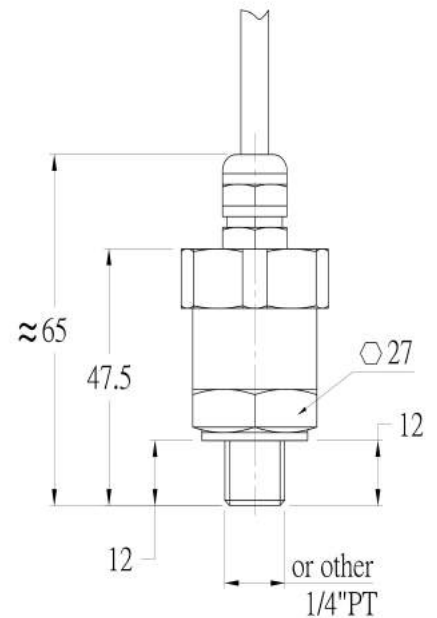
with cable outlet OEM version, unshielded



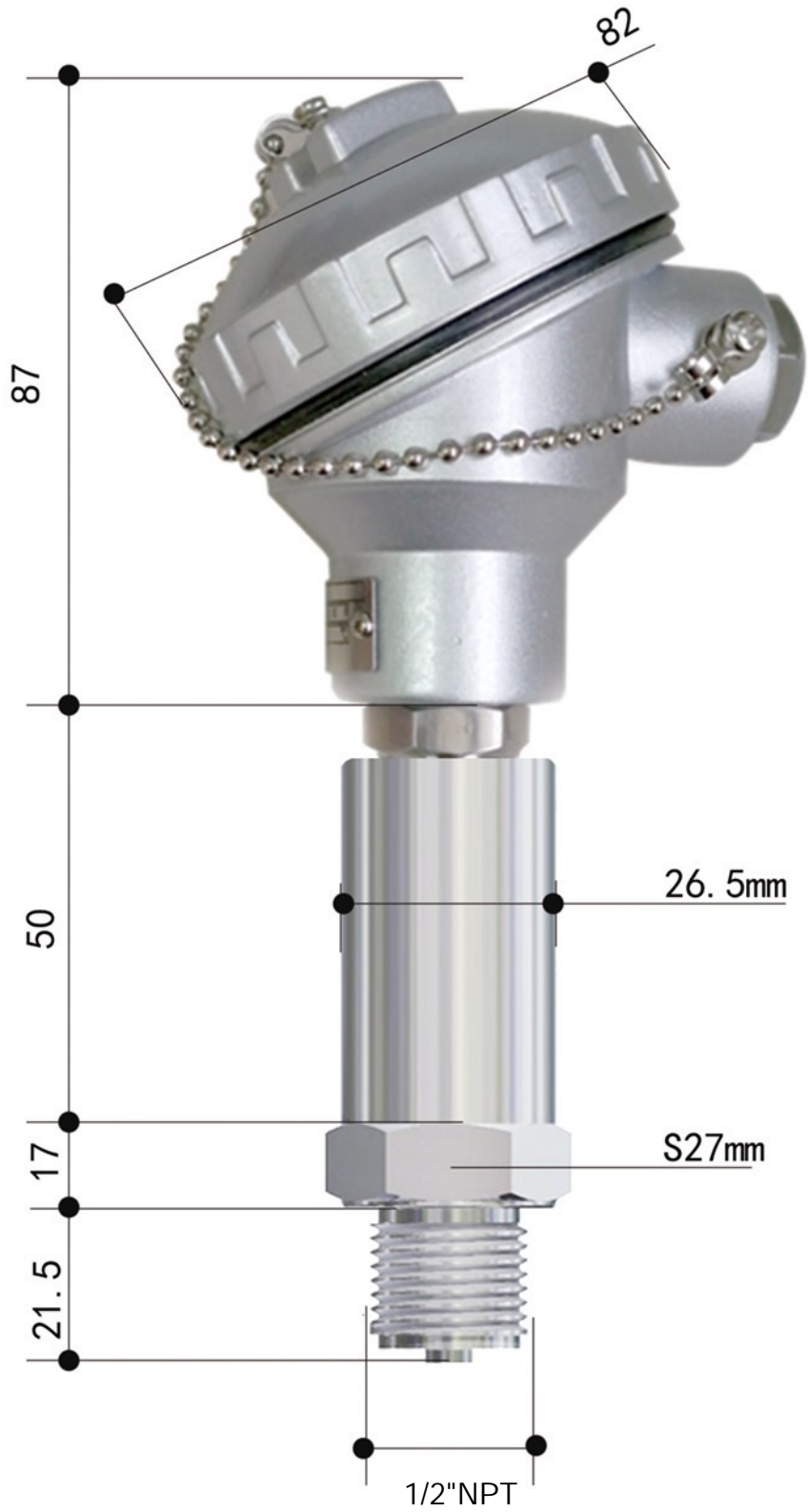
with angular connector form A



with M12 x 1 circular connector



with cable outlet OEM version, unshielded



Measuring ranges

Gauge pressure								
KG/CM2	Measuring range	0 ... 0.05	0 ... 0.1	0 ... 0.16	0 ... 0.25	0 ... 0.4	0 ... 0.6	0 ... 1
	Overload safety	0.2	0.2	1	1	1	3	3
	Measuring range	0 ... 1.6	0 ... 2.5	0 ... 4	0 ... 6	0 ... 10¹⁾	0 ... 16¹⁾	0 ... 25¹⁾
	Overload safety	3.2	5	8	12	20	32	50
	Measuring range	0 ... 40	0 ... 60	0 ... 100	0 ... 160	0 ... 250	0 ... 400	0 ... 600
	Overload safety	80	120	200	320	500	800	1,200
	Measuring range	0 ... 1,000						
	Overload safety	1,500						
inWC	Measuring range	0 ... 20	0 ... 40	0 ... 60	0 ... 80	0 ... 100	0 ... 120	0 ... 150
	Overload safety	84	84	400	400	400	400	400
	Measuring range	0 ... 200	0 ... 250	0 ... 400				
	Overload safety	400	1,200	1,200				
psi	Measuring range	0 ... 1	0 ... 5	0 ... 15	0 ... 25	0 ... 30	0 ... 50	0 ... 100
	Overload safety	3	14.5	45	60	60	100	200
	Measuring range	0 ... 160¹⁾	0 ... 200¹⁾	0 ... 300¹⁾	0 ... 500	0 ... 1,000	0 ... 1,500	0 ... 2,000
	Overload safety	290	400	600	1,000	1,740	2,900	4,000
	Measuring range	0 ... 3,000	0 ... 5,000	0 ... 10,000				
	Overload safety	6,000	10,000	17,400				

1) If the medium water is measured, a higher overload safety is recommended.

Absolute pressure								
KG/CM2	Measuring range	0 ... 0.1	0 ... 0.16	0 ... 0.25	0 ... 0.4	0 ... 0.6	0 ... 1	0 ... 1.6
	Overload safety	1	1	1	1	3	3	3.2
	Measuring range	0 ... 2.5	0 ... 4	0 ... 6	0 ... 10	0 ... 16	0 ... 25	
	Overload safety	5	8	12	20	32	50	
inWC	Measuring range	0 ... 40	0 ... 60	0 ... 80	0 ... 100	0 ... 120	0 ... 150	0 ... 200
	Overload safety	400	400	400	400	400	400	400
	Measuring range	0 ... 250	0 ... 400					
	Overload safety	1,200	1,200					
psi	Measuring range	0 ... 5	0 ... 15	0 ... 25	0 ... 30	0 ... 50	0 ... 100	0 ... 150
	Overload safety	14.5	45	60	60	100	200	290
	Measuring range	0 ... 200	0 ... 300					
	Overload safety	400	600					

Vacuum and +/- measuring range

KG/CM2	Measuring range	-0.025 ... +0.025	-0.05 ... 0	-0.05 ... +0.05	-0.05 ... +0.15	-0.05 ... +0.2
	Overload safety	±0.2	±0.2	±0.2	1	1
	Measuring range	-0.05 ... +0.25	-0.1 ... 0	-0.1 ... +0.1	-0.15 ... +0.15	-0.16 ... 0
	Overload safety	1	±0.2	1	1	1
	Measuring range	-0.2 ... +0.2	-0.25 ... 0	-0.25 ... +0.25	-0.3 ... +0.3	-0.4 ... 0
	Overload safety	1	1	1	3	1
	Measuring range	-0.5 ... +0.5	-0.6 ... 0	-1 ... 0	-1 ... +0.6	-1 ... +1.5
	Overload safety	3	3	3	3.2	5
inWC	Measuring range	-1 ... +3	-1 ... +5	-1 ... +9¹⁾	-1 ... +15¹⁾	-1 ... +24¹⁾
	Overload safety	8	12	20	32	50
	Measuring range	-10 ... +10	-20 ... 0	-20 ... +20	-40 ... 0	-40 ... +40
	Overload safety	±80	±80	±80	±80	±80
	Measuring range	-50 ... +50	-60 ... 0	-75 ... +75	-80 ... 0	-100 ... 0
	Overload safety	400	400	400	400	400
	Measuring range	-100 ... +100	-120 ... 0	-125 ... +125	-150 ... 0	-200 ... +200
	Overload safety	400	400	1,200	400	1,200
psi	Measuring range	-250 ... 0				
	Overload safety	1,200				
	Measuring range	-1 ... 0	-30 inHg ... 0	-30 inHg ... +15	-30 inHg ... +30	-30 inHg ... +60
	Overload safety	±3	45	60	60	150
	Measuring range	-30 inHg ... +100	-30 inHg ... +160¹⁾	-30 inHg ... +200¹⁾	-30 inHg ... +300¹⁾	
	Overload safety	250	350	450	600	

1) If the medium water is measured, a higher overload safety is recommended.

The given measuring ranges are also available in mbar, kg/cm², MPa and kPa.

Other measuring ranges available on request.

3-fold overload safety available on request.

Vacuum tightness

Yes (for restrictions see overload safety)

HOW TO ORDER

BASIC MODEL

CODE	A	C	B
NOMINAL SIZE(mm)	100	60	175

Electrical connections

A1:Angular connector DIN 175301-803 A
 A2:Angular connector DIN 175301-803 A (with moulded cable 1M)
 A5:Circular connector M12 x 1 (4-pin) (cable 1M)
 A6:with cable outlet OEM version, unshielded

GAUGE CONNECTION

B7 1/2"BSP(M)
 B8 1/2"NPT(M)
 B5 1/4"NPT(M)STANDARD
 B4 1/4"BSP(M)STANDARD
 B1 According to order

Note:Connections like PT/PF/Flairde /UNF/G/R eac.can be orivude on request.
 Non standard connections can be provided through adaptors.

RANGE

REFER TABLES

PRESSURE UNITS

D1 bar D4 kg/cm² D7 According to order
 D2 psi D5 mmH₂O
 D3 Mpa D6 mH₂O

Output

E1 4~20mA E2 DC 0~10V E3 DC 0~5V E4 Others

OPTIONS

FOR NON STANDARD PRODUCTS/OPTIONAL ITEMS, PLEASE CONTACT FACTORY FOR DELNERY AND MINMUM QUANTITY OF ORDER.

C3 CUSTOM DESIGNED PANEL	C9 SSTAG PLATE
C7 OXYGEN SERVICE(WITHOUT DAMPENING LIQUIDS)	C20 HELIUM LEAK TEST
C12 AISI 316 SS CASE & BEZEL	C24 TRIANGLE TYPE SURFACE MOUNTING PLATE
C1 FIVE POINT CALIBRATION CERTIFICATE	C6 CASE WITH ROLLING TYPE BEZEL
C13 FIVE POINT CALIBRATION CERTIFICATE (LABORATORY)	C18 ACCURACY $\pm 0.25\%$ OF FS.

* GASKET, BOD & FILLING PLUG OF VITON/NBR

Ordering Example:

PT-A-C-A1-B7-0/10kg/cm²-D4 E1-C19