

# Digital pressure gauge



general industrial applications

DPG-02

## Applications:

- Machine building
- Hydraulics and pneumatics
- Pumps and compressors
- Service tasks

:

## Special features

- Measuring ranges from -1 ... 5 to 0 ... 1000 bar
- Accuracy  $\leq \pm 0.5\%$  or  $\pm 0.25\%$
- Can be corrected:
- Option: LCD screen



## SPECIFICATIONS

**STANDARD VERSION:** 75mm

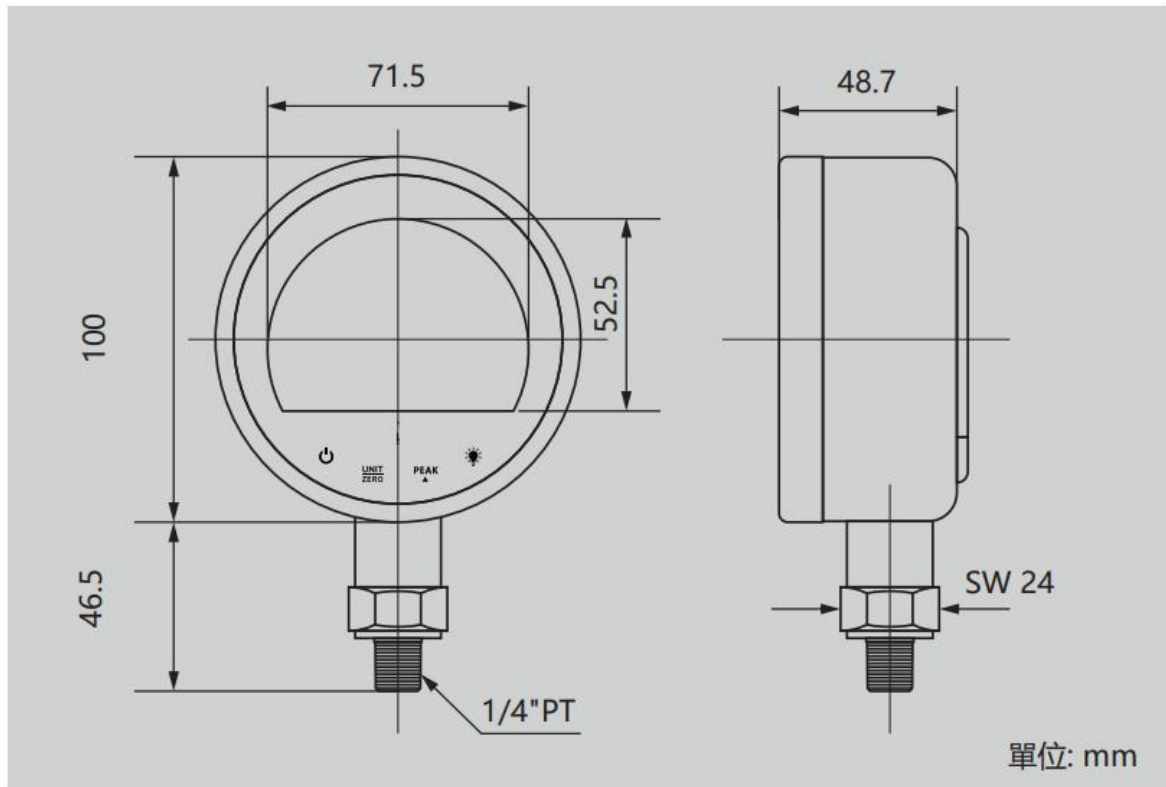
Accuracy	: $\pm 0.5\%$ Of F.S. $\pm 0.25\%$ Of F.S.
Process temperature	: $-10 \sim 80\text{ }^{\circ}\text{C}$
Compensating	: $-5 \sim 40\text{ }^{\circ}\text{C}$
Operating pressure	: 75% of the scale value
Over pressure limit	: 30% for pressure ranges up to $600\text{ kg/cm}^2$ 15% for pressure ranges above $600\text{ kg/cm}^2$

Case	: AIS I304 SS
Socket	: AIS I316 SS
Sensor	: THIN-FILM(DIFFUSION SILICON)
Sensor element	: 316 S.S
Digits	: 4-1/2 digit
Panel	: PVC

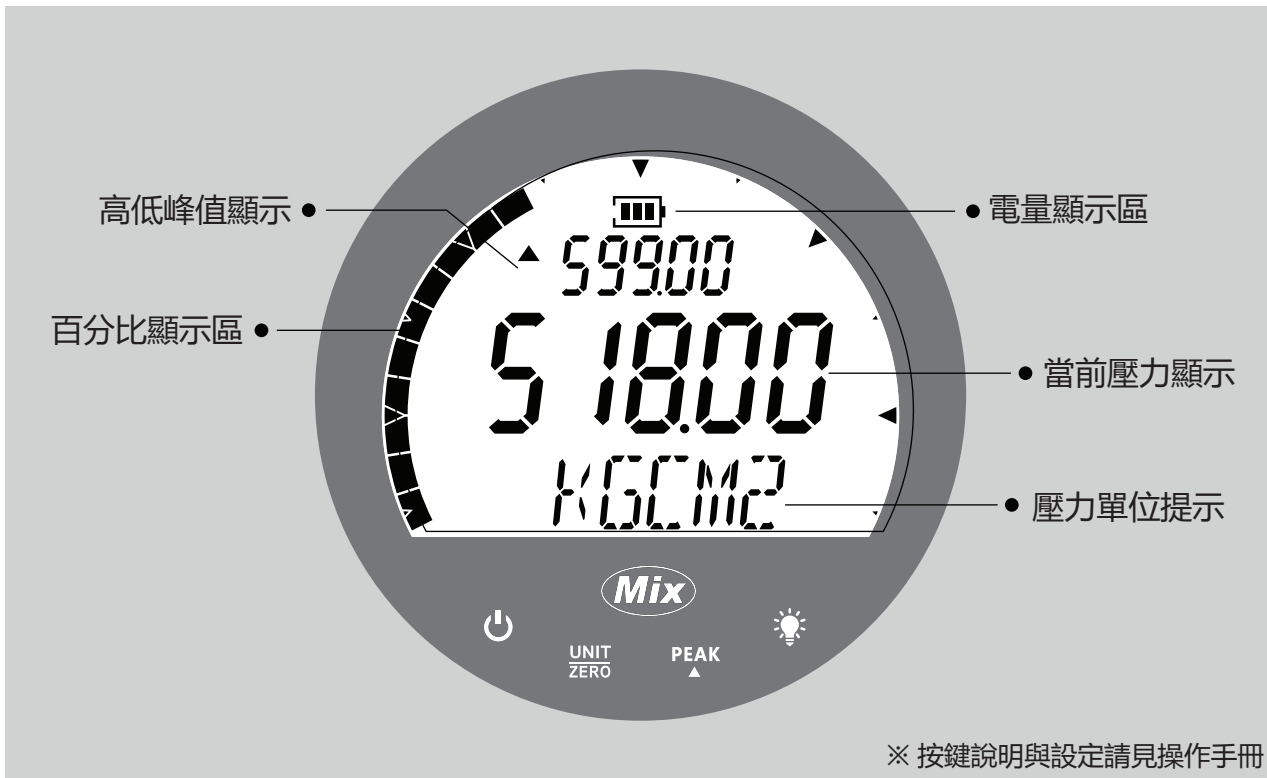
Protection	: IP 55
Power Supply	: Battery operation (3 x 1.5 V AA cell)
Battery life	: The operating time is approx. 3500 hours,
Character size	: 13 mm and 9 mm
Update	: 200 ms
Screen	: LCD

Dimensions mm

Digital pressure gauge with transmission function



## Digital indicator



## Measuring ranges

Gauge pressure							
bar	<b>Measuring range</b>	0 ... 5	0 ... 10	0 ... 20	0 ... 50	0 ... 100	0 ... 160
	Overpressure limit	10	20	40	100	200	320
	Burst pressure	12	25	50	120	800	1,000
	<b>Measuring range</b>	0 ... 250	0 ... 400	0 ... 600			
	Overpressure limit	500	800	1,200			
	Burst pressure	1,200	1,700	2,400			
psi	<b>Measuring range</b>	0 ... 145	0 ... 300	0 ... 600	0 ... 1,450	0 ... 2,000	0 ... 3,000
	Overpressure limit	290	580	1,450	2,900	4,640	7,250
	Burst pressure	360	725	1,740	11,600	14,500	17,400
	<b>Measuring range</b>	0 ... 5,000	0 ... 7,500	0 ... 10,000 <sup>1)</sup>			
	Overpressure limit	11,600	17,400	21,750			
	Burst pressure	24,650	34,800	43,500			

1) DG-10-S can only display up to 19999 psi

Vacuum and +/- measuring ranges			
bar	<b>Measuring range</b>	-1 ... +5	-1 ... +10
	Overpressure limit	10	20
	Burst pressure	12	25
psi	<b>Measuring range</b>	-30 inHg ... +72 psi	-30 inHg ... +145 psi
	Overpressure limit	145	290
	Burst pressure	170	360

## HOW TO ORDER

### BASIC MODEL

DPG-02

CODE	C	D
NOMINAL SIZE(mm)	80	100

C

### TYPE OF MOUNTING

A4

- A4 SURFACE/WALL/PROJECTION MOUNTING WITH BOTTOM ENTRY  
 A1 DIRECT BOTTOM ENTRY  
 A5 DIRECT LOWER BACK ENTRY  
 A2 DIRECT CENTRE BACK ENTRY  
 A6 FLUSH PANEL BACK ENTRY WITH FRONT FLANGE

### GAUGE CONNECTION

B7

- B7 1/2"BSP(M)  
 B8 1/2"NPT(M)  
 B5 1/4"NPT(M)STANDARD  
 B4 1/4"BSP(M)STANDARD  
 B1 According to order

Note:Connections like PT/PF/Flairde /UNF/G/R eac.can be orivuded on request.  
 Non standard connections can be provided through adaptors.

### RANGE

0-10

REFER TABLES

### PRESSURE UNITS

D1

MPa、kg/cm<sup>2</sup>、bar、psi、mmH<sub>2</sub>O、kPa、Pa、  
 inWC、mbar、mH<sub>2</sub>O、inHg、mmHg、Torr

### OPTIONS

C19

FOR NON STANDARD PRODUCTS/OPTIONAL ITEMS, PLEASE CONTACT FACTORY FOR DELNERY AND MINMUM QUANTITY OF ORDER.

- |   |   |
|---|---|
| <b>C3</b> CUSTOM DESIGNED PANEL                           | <b>C9</b> SSTAG PLATE                           |
| <b>C7</b> OXYGEN SERVICE(WITHOUT DAMPENING LIQUIDS)       | <b>C20</b> HELIUM LEAK TEST                     |
| <b>C12</b> Power Supply AC100-230V DC 24 V                | <b>C24</b> TRIANGLE TYPE SURFACE MOUNTING PLATE |
| <b>C1</b> FIVE POINT CALIBRATION CERTIFICATE              | <b>C6</b> CASE WITH ROLLING TYPE BEZEL          |
| <b>C13</b> FIVE POINT CALIBRATION CERTIFICATE(LABORATORY) | <b>C18</b> ACCURACY $\pm 0.25\%$ OF FS.         |

\* GASKET,BOD & FILLING PLUG OF VITON/NBR

### Ordering Example:

**DPG-02 C-A1-B7-0/10kg/cm<sup>2</sup>-D1-C19**