

Digital pressure gauge



general industrial applications

DPG-D1

Applications:

- Machine building
- Hydraulics and pneumatics
- Pumps and compressors
- Service tasks

:

Special features

- Measuring ranges from -1 ... 5 to 0 ... 1000 bar
- Accuracy $\leq \pm 0.5\%$ or $\pm 0.25\%$
- Can be corrected:
- Option: LCD screen



SPECIFICATIONS

STANDARD VERSION: 89mm

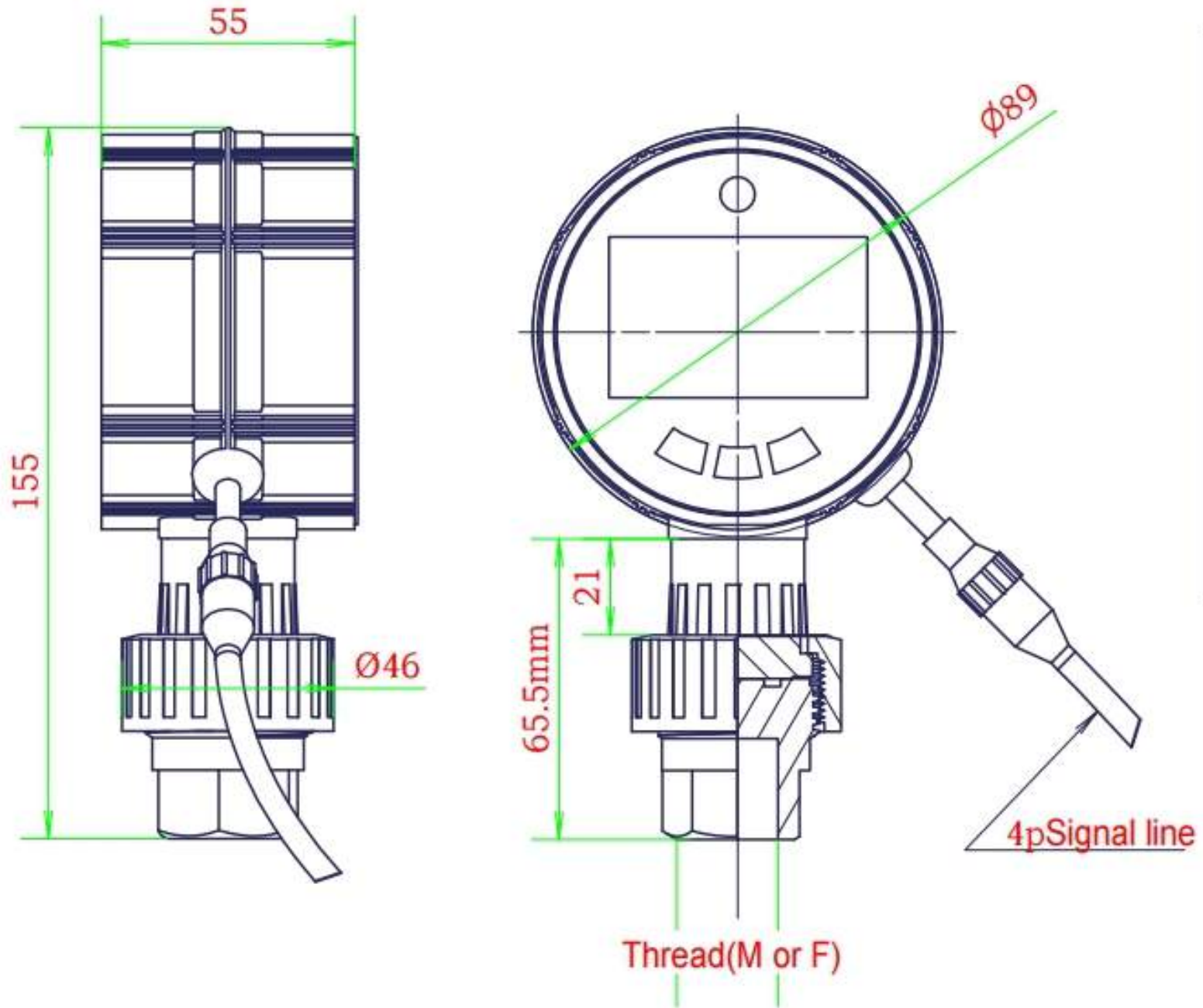
Accuracy	:	$\pm 0.5\%$ Of F.S. $\pm 0.25\%$ Of F.S.
Process temperature	:	-10~80 °C
Compensating	:	-5~40 °C
Operating pressure	:	75% of the scale value
Over pressure limit	:	30% for pressure ranges up to 600 kg/cm ² 15% for pressure ranges above 600kg/cm ²

Case	:	nylon
Socket	:	PP.TEFLON
Sensor	:	THIN-FILM(DIFFUSION SILICON)
Sensor element	:	316 S.S
Digits	:	4-1/2 digit
Panel	:	PVC

Protection	:	IP 55
Power Supply	:	DC 24V
Signal	:	RS485
Character size	:	13 mm and 9 mm
Update	:	200 ms
Screen	:	LCD

Dimensions mm

Digital pressure gauge with transmission function





Measuring ranges

Gauge pressure

bar	Measuring range	0 ... 5	0 ... 10	0 ... 20	0 ... 50	0 ... 100	0 ... 160
	Overpressure limit	10	20	40	100	200	320
	Burst pressure	12	25	50	120	800	1,000
	Measuring range	0 ... 250	0 ... 400	0 ... 600			
	Overpressure limit	500	800	1,200			
	Burst pressure	1,200	1,700	2,400			
psi	Measuring range	0 ... 145	0 ... 300	0 ... 600	0 ... 1,450	0 ... 2,000	0 ... 3,000
	Overpressure limit	290	580	1,450	2,900	4,640	7,250
	Burst pressure	360	725	1,740	11,600	14,500	17,400
	Measuring range	0 ... 5,000	0 ... 7,500	0 ... 10,000¹⁾			
	Overpressure limit	11,600	17,400	21,750			
	Burst pressure	24,650	34,800	43,500			

1) DG-10-S can only display up to 19999 psi

Vacuum and +/- measuring ranges

bar	Measuring range	-1 ... +5	-1 ... +10
	Overpressure limit	10	20
	Burst pressure	12	25
psi	Measuring range	-30 inHg ... +72 psi	-30 inHg ... +145 psi
	Overpressure limit	145	290
	Burst pressure	170	360

HOW TO ORDER

BASIC MODEL

DPG-01

CODE

C

NOMINAL SIZE(mm)

8 9

C

TYPE OF MOUNTING

A4

A4 SURFACE/WALL/PROJECTION MOUNTING WITH BOTTOM ENTRY

A1 DIRECT BOTTOM ENTRY

A5 DIRECT LOWER BACK ENTRY

A2 DIRECT CENTRE BACK ENTRY

A6 FLUSH PANEL BACK ENTRY WITH FRONT FLANGE

GAUGE CONNECTION

B7

B7 1/2"BSP(F)

B8 1/2"NPT(F)

B5 1/4"NPT(F)

B4 1/4"BSP(F)

B1 According to order

Note:Connections like PT/PF/Flairde /UNF/G/R eac.can be orivuded on request.

Non standard connections can be provided through adaptors.

RANGE

0-10

REFER TABLES

PRESSURE UNITS

D1

D1 bar,kg/cm²,PSI,mH₂O,KPA,MPA(10~1000KG/CM²)D2 bar,kg/cm²,PSI,mmH₂O,KPA,MPA(-1~9KG/CM²)

OPTIONS

C19

FOR NON STANDARD PRODUCTS/OPTIONAL ITEMS, PLEASE CONTACT FACTORY FOR DELNERY AND MINMUM QUANTITY OF ORDER.

C3 CUSTOM DESIGNED PANEL**C7** OXYGEN SERVICE(WITHOUT DAMPENING LIQUIDS)**C12** AISI 316 SS CASE & BEZEL**C1** FIVE POINT CALIBRATION CERTIFICATE**C13** FIVE POINT CALIBRATION CERTIFICATE(LABORATORY)**C9** SSTAG PLATE**C20** HELIUM LEAK TEST**C24** TRIANGLE TYPE SURFACE MOUNTING PLATE**C6** CASE WITH ROLLING TYPE BEZEL**C18** ACCURACY $\pm 0.25\%$ OF FS.

* GASKET,BOD & FILLING PLUG OF VITON/NBR

Ordering Example:

DPG-D1 C-A1-B7-0/10kg/cm²- D1-C19