

# DIAPHRAGM SEAL

In-line diaphragm seal



## SPECIAL FEATURES

- Completely round, no Corners and edges
- For direct installation between two Flanges
- wide Choice of special materials

## APPLICATIONS

- For direct, permanent installation in pipelines
- For flowing, pure and aggressive media
- Chemical process industry
- Petrochemical industry



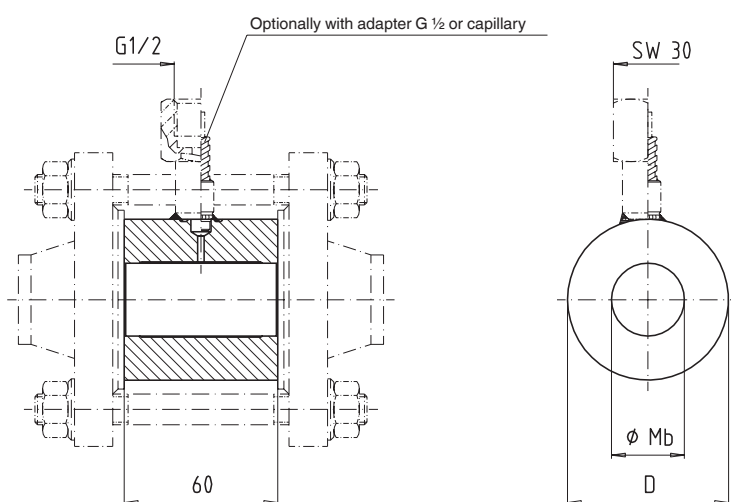
## SPECIFICATIONS

### STANDARD VERSION: (for Ns 100mm & above)

Range	: -1kg/cm <sup>2</sup> to 400 kg/cm <sup>2</sup>
Process Temperature	: -20°C to 280°C or as per fill fluid
Instrument Connection	: 3/8" BSP (F)
Process Connection	: 1/2" SANITARY SEAL

Diaphragm	: AISI 316L SS
Body	: AISI 316 SS
Fill Fluid	: Food Grade Oil

### Dimensions in mm



		Connection following EN 1092-1			Weight in kg
DN in mm	PN in bar	Dimensions in mm			
		D	Mb	L	
25	6...400	63	28.5	60	1.7
40	6...400	85	43	60	2.6
50	6...320	95	54.5	60	2.9
80	6...250	130	82.5	60	4.4
100	6	150	107	60	5.1
125	10...63	178	132	60	7.2
125	6	188	132	60	7.2
150	10...63	202	159	60	9.9
150		212	159	60	9.9

		Connection per ASME B 16.5			Weight in kg
DN	Class	Dimensions in mm			
		D	Mb	L	
1"	150..2500	63	28.5	60	1.7
1-1/2"	150..2500	78	43	60	2.6
2"	150..1500	95	54.5	60	2.9
3"	150..900	130	82.5	60	4.4
4"	150..600	150	107	60	5.1
5"	150..300	186	132	60	7.2
6"	150..300	216	159	60	10.6

Note: · D drawings are not to scale. All Dimensions are in mm.

## HOW TO ORDER

### BASIC MODEL

#### OPTIONS

#### TYPE

AB1 DIN                      AB2 ASME

### INSTRUMENT CONNECTION

Q6 3/8"BSP(F)              Q4 1/2"BSP(F)  
 Q1 1/2"NPT(F)              Q3 1/4"BSP(F)  
 Q5 3/8"NPT(F)              Q2 1/4"NPT(F)

### DIAPHRAGM

T8 AISI 316L SS

### PROCESS CONNECTION

AS PER DIN/BS/ANS ETC.STANDARD  
 32NB( 1" )to 80NB(6")(As required)

### FILLNG FLUIDS

T1 FLUROLUBE 4.2[-45 TO 175°C/-49 TO374 ° F]	T2 SILICON DC 704 [0 TO 205°C/-32 TO401 ° F]
T3 FLUROLUBE 6.3[-40 TO 235°C/-40 TO455 ° F]	T4 SILICON DC 710 [5TO 400 °C ]
T5 FLUROLUBE FS5[-40 TO 150°C/-40 TO302 ° F]	T6 SYLTHERM 800 [-45 TO205°C/-49 TO401° F]
T7 FOOD GRADE OIL[-20 TO 140°C/-4 TO284 ° F]	T8 SYLTHERM XLT [-75 TO150°C/-102TO302° F]
T9 SILICON DC200-10CS[-40 TO 205°C/-40 TO401 ° F]	T10 HALOCARBON OIL

#### TYPE

G1 WITHOUT CAPILLARY	G2 WITH CAPILLARY
G3 WITHOUT NECK TYPE	G4 NECK TYPE

### CAPILLARY

H1 AISI 304 SS                      H2 AISI 316 SS

### CAPILLARY COVERED WITH ARMOUR

I1 AISI 304 SS                      I2 AISI 316 SS                      I3 PVC

### CAPILLARY LENGTY(Max up to 2Mtrs.)

IN METERS(e.g.1.5)= 1.5METERS 2.0=2METERS)

### OTHER OPTIONS

K3 HELIUM LEAK TEST                      K4 DRY SEAL ONLY WITHOUT INSTRUMENT

### Ordering Example:

BTU-AB1-Q4-T8-1"300LB-T9-G2-I1-3M-K3

Note: ● Due to continuous improvement,the speoification

BTU

AB1

Q6

T8

1"

T1

G1

H1

I1

1Mtr.

K3