

COOLING TOWER

BCB

ALL STAINLESS STEEL



SPECIAL FEATURES

- STAINLESS STEEL CONSTRUCTION
- SUITABLE FOR CLEAN LIQUID & GASES

APPLICATIONS

COOLING TOWER IS USED FOR PRESSURE TRANSMITTER FOR ISOLATION OF ELECTRONICS FROM HIGH PROCESS TEMPERATURE. IT CAN BE USED FOR TEMPERATURE OF 150°C TO 220°C



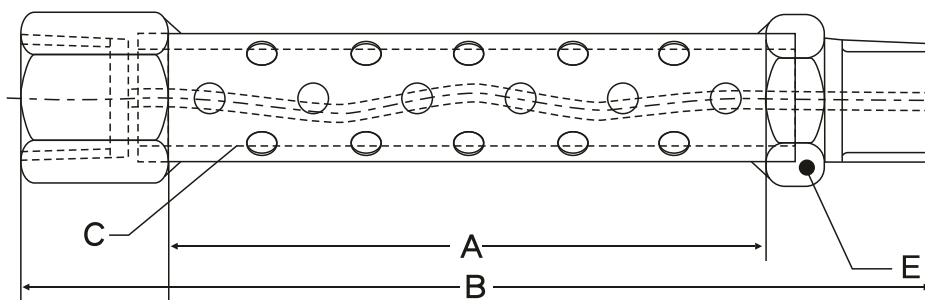
SPECIFICATIONS

STANDARD VERSION:

Operating temperature	:	Upto 220°C for CT1 & CT2
	:	Upto 150°C for CT3
Process Connection	:	1/4" BSP(M)
Instrument Connection	:	1/4" BSP(F)
Material of Connection	:	SS 316

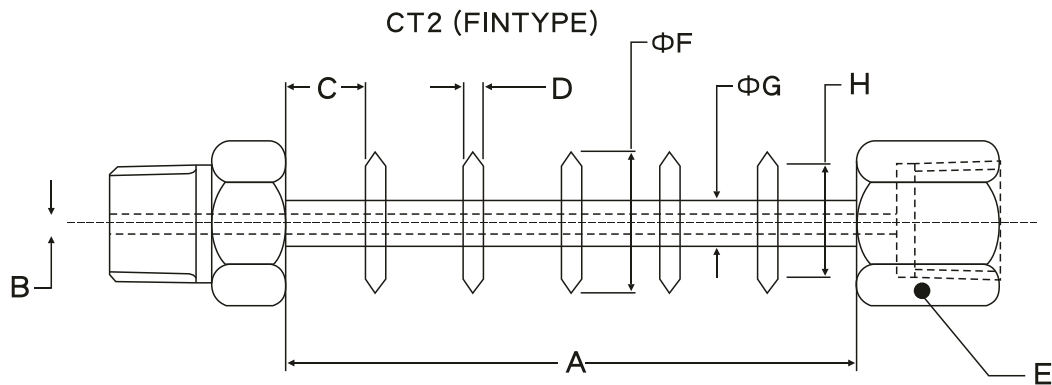
DIMENSIONS - STANDARD VERSION

CT1 (PERFORATED TYPE)

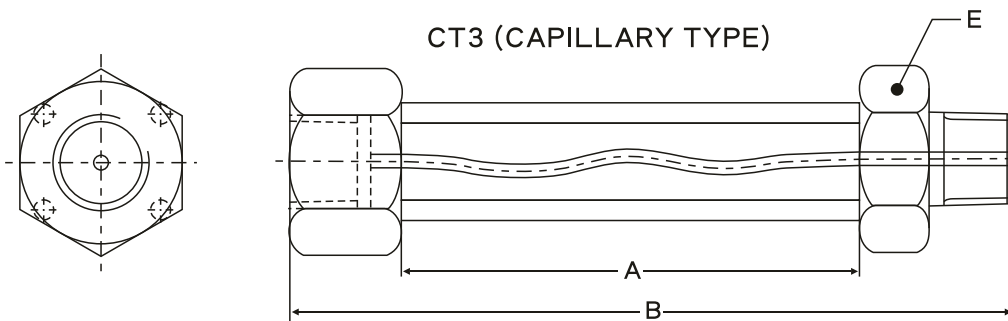


A	B	E	C
105	154	A/F 25.	øΦ5.0,44HOLES

Notes: • Due to continuous improvement, the specification may vary from time to time.



A	B	C	D	ΦF	ΦG	H	E
115	3.5	14	3.25	25	8	20	Φ 28



A	B	E
101	137	A/F 36.0

Notes: • Drawings are not to scale. • All Dimensions are in mm.

HOW TO ORDER

BASIC MODEL

FOR NON STANDARD PRODUCTS/OPTIONAL ITEMS, PLEASE CONTACT FACTORY FOR DELIVERY AND MINIMUM QUANTITY OF ORDER.

TYPE

G5 PERFO RATED
G6 FIN TYPE
G7 CAPILLARY

MATERIAL OF CONSTRUCTION

AE1 AISI316 SS
AE2 AISI316 SS

CONNECTIONS

J1 1/4" BSP (FXM) J2 3/8" NPT (FXM)
J3 1/4" NPT (FXM) J4 1/2" BSP (FXM)
J5 3/8" BSP (FXM) J6 1/2" NPT (FXM)

Note: Connections like "PT/PF/Flaired/UNF/G/Retc." can be provided on request.

Nonstandard connections can be provided through adaptors.

Ordering Example:

BCB-G5-AE1-J1

Notes: • Due to continuous improvement, the specification may vary from time to time.