

ALL SS PRESSURE GAUGE

BOURDON TYPE

BBF



SPECIAL FEATURES

- STAINLESS STEEL CASE & MEASUREMENT SYSTEM
- SOLID FRONT DESIGN FEATURES Baffle Wall INTERPOSED BETWEEN THE SENSING SYSTEM & THE WINDOW, AND A PRESSURE RELIEVING BACK FOR INCREASED SAFETY.
- SOCKET & CASE WELDED
- DRY OR LIQUID FILLED.
- ACCURACY UP TO 0.5%
- STAINLESS STEEL BLOW OFF BACK
- STANDARD FOLLOWED IN GENERAL EN-837-1



APPLICATIONS

OIL & GAS CHEMICALS / REFINERY / FERTILIZER / PETROCHEMICALS / PHARMACEUTICAL / POWER / CEMENT / SUGAR / FOOD & BEVERAGES / PULP & PAPER & ALLIED PROCESS INDUSTRIES. FOR FLUID & GASEOUS MEDIA.

SPECIFICATIONS

STANDARD VERSION: 100mm, 150mm

Accuracy	: ± 1.0% Of F.S.
Ambient temperature	: -20°C to +60 °C
Process temperature	: Max. 300 °C
Operating pressure	: 75% of the scale value
Over pressure limit	: 30% for pressure ranges upto 400 kg/cm ² 15% for pressure ranges above 400 kg/cm ²

Case	: AISI 304 SS
Ring	: AISI 304 SS, Bayonet Type
Bourdon	: AISI 316 SS
Socket	: AISI 316 SS
Movement	: AISI 304 SS
Jointst	: Tig Argon Arc Welding

Protection	: IP65
Dial	: Aluminium, black Coloured, Fixed
Pointer	: Aluminium, black Coloured, Fixed
Window	: Shatterproof/Safety Glass
Blow off Disc	: AISI 304 SS
Gasket	: Neoprene

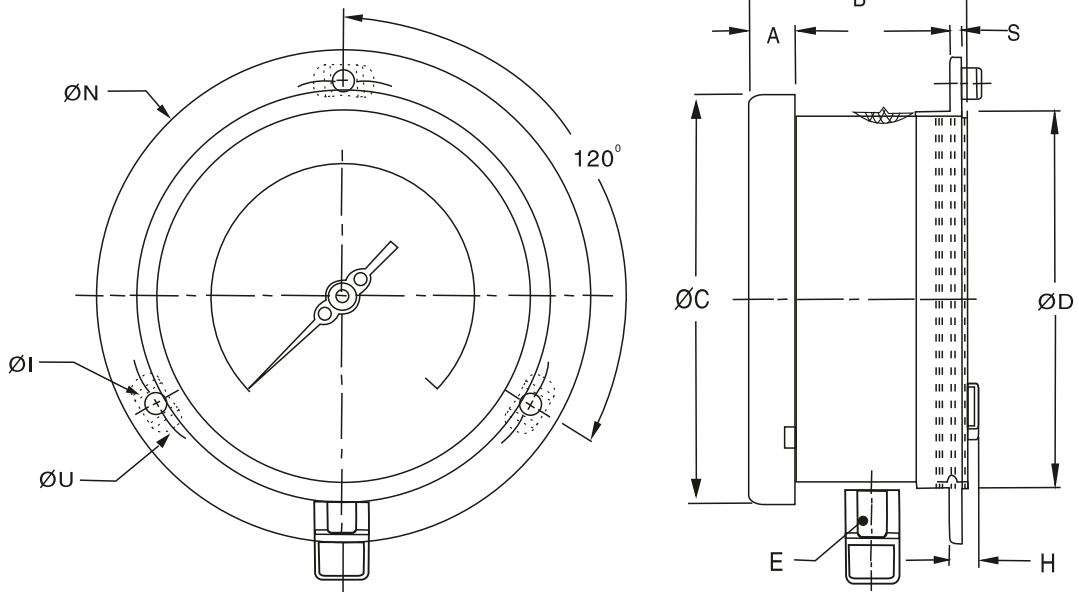
GLYCERINE FILLED VERSION (OPTION PY)

Accuracy	: ± 1.0% of F.S
Ambient Temperature	: Max. 65 °C
Protection	: IP65
Window	: Shatterproof/Safety Glass
Dampening Liquids	: Glycerine 98%
Other Features	: Refer Specification of Standard Version

DRY BUT FILLABLE VERSION

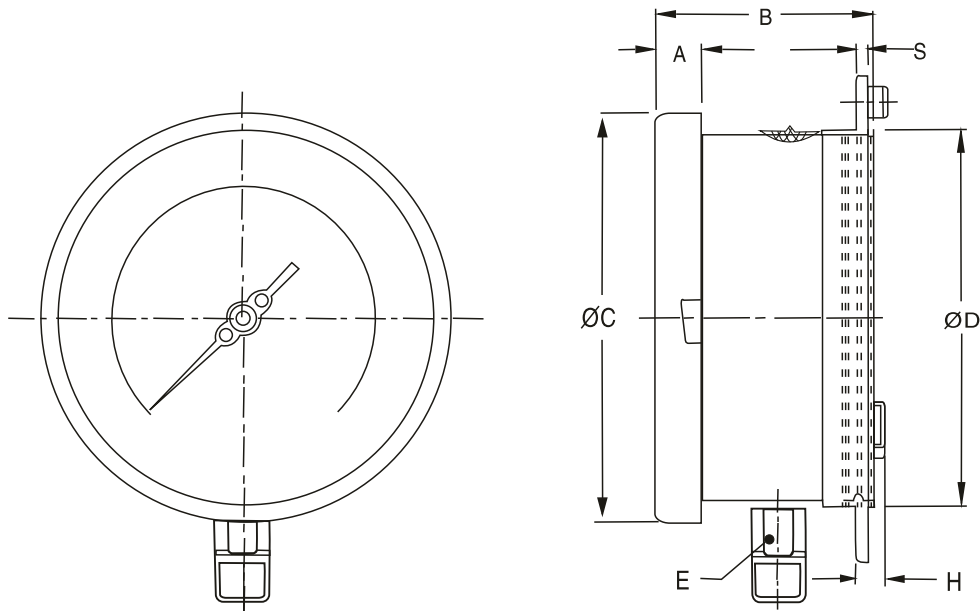
Option Code	: Fillable Dampening Liquid
C4	: For Glycerine 98%
C5	: For silicon Oil

TYPE1



NS	A	B	$\varnothing C$	$\varnothing D$	E	$\varnothing N$	$\varnothing U$	H	$\varnothing I$	S	Weight in gram (With Box)
100	12.5	110	99	100	22	134	118	15	6	1	812.50
150	12.5	161	159	149	22	196	178	15	6	5	1376.0

TYPE2



NS	A	B	$\varnothing C$	$\varnothing D$	E	Weight in gram (With Box)
100	12.5	64	110	100	22	716.5
150	12.5	66	161	149	22	1220.0

RANGE TABLE

Note: MIX offers National/international Scales like kPa, Mpa, bar, psi, kg/cm² & Dual Scale like kPa with psi, kPa with bar, bar with psi or Equivalent scales as per the requirement can be provided on request.

Following are the example tables for kg/cm² & psi scales

PRESSURE

SINGLE SCALE (kg/cm ² or bar)					
RANGE	RANGE	RANGE	RANGE	RANGE	RANGE
0/0.6	0/4	0/25	0/160	0/1000	
0/1	0/6	0/40	0/250	0/1400	
0/1.6	0/10	0/60	0/400	0/1600	
0/2.5	0/16	0/100	0/600		
DUAL SCALE (PSI with kg/cm ²) or PSI with bar					
RANGE (PSI)	RANGE (kg/cm ²)	RANGE (PSI)	RANGE (kg/cm ²)	RANGE (PSI)	RANGE (kg/cm ²)
0/15	1	0/400	28	0/4000	280
0/30	2	0/500	35	0/5000	350
0/60	4	0/500	40	0/5000	400
0/100	7	0/600	70	0/6000	700
0/150	10	0/1000	100	0/10000	1000
0/200	14	0/1500	140	0/15000	1400
0/300	20	0/2000	200	0/20000	2000
		0/3000		0/30000	3000

*Note: For ranges above 1600 kg/cm², please consult factory.

VACUUM & COMPOUND RANGE

DUAL SCALE					
Range	Range	Range	Range	Range	Range
in Hg with PSI	mm Hg with kg/cm ²	in Hg with PSI	mm Hg with kg/cm ²	in Hg with PSI	mm Hg with kg/cm ²
-30/0	-760/0	-30/60	-760/3	-30/200	-760/15
-30/15	-760/1	-30/100	-760/9	-30/300	-760/20
-30/30	-760/2	-30/150		-30/350	-760/24
SINGLE SCALE (kg/cm ²)					
Range	Range	Range	Range	Range	Range
-1/0	-1/1.5	-1/5	-1/15		
-1/1.6	-1/3	-1/9	-1/24		

ACCESSORIES †

EB COOLING TOWER	* NEEDLE VALVE	DX DIAPHRAGM SEAL
EC GAUGE COCK	EG SNUBBER	
ED GAUGE SAVER	EH SIPHON	

† Refer Datasheet for complete specifications * Refer catalogue for Valves & Manifolds

HOW TO ORDER

BASIC MODEL

CODE

NOMINAL SIZE(mm)

D

100mm

F

150mm

BBF

D

TYPE OF MOUNTING

A4 WALL/SURFACE/PROJECTION MOUNTING WITH BOTTOM ENTRY

A1 DIRECT BOTTOM ENTRY

A4

C20

GAUGE CONNECTION

C20 3/8"BSP(M)

B11 1/4"NPT(M)

C21 1/2"BSP(M)STANDARD

C13 1/2"NPT(M)STANDARD

**Note:Connections like PT/PF/Flaired/UNF/G/R etc.can be provided on request.
Non standard connections can be provided through adaptors.**

RANGE

REFER TABLES

0-10
kg/cm²

OPTIONS

FOR NON STANDARD PRODUCTS/OPTIONAL ITEMS,PLEASE CONTACT FACTORY FOR DELIVERY AND MINIMUM QU ANTITY OF ORDER.

C27 ACCURACY 0.5% OF F.S

(WITHOUT OPTION DAMPENING LIQUID)

C28C MONEL BOURDON & SOCKET(MONEL VERSION)

12 AISI 316 SS CASE & BEZEL

C1 FIVE POINT CALIBRATION CERTIFICATE

C3 CUSTOM DESIGNED DIAL

C19 TOUGHENED GLASS

C7 OXYGEN SERVICES(WITHOUT OPTION DAMPENING LIQUID)

C32 KNIFE EDGE POINTER

C35 DIAL TAG MARKING

C9 SS TAG PLATE

C23 MAXIMUM READING POINTER(MRP)

C20 HELIUM LEAK TEST

C46 TESTED TO NACE STANDARDS

C10 FILLABLE LIQUID SILICON OIL*

C11 FILLABLE LIQUID GL YCERINE

C2 INTEGRAL DAMPENING SCREW IN AISI 316 SS

C13 DAMPENING LIQUID MINERAL LIQUID FILLED

C14 DAMPENING LIQUID FLOUROLUBE FILLED

C4 DAMPENING LIQUID GL YCERINE FILLED

C5 DAMPENING LIQUID SILICON OIL FILLED*

C31 MOVEMENT WITH DAMPENING JELLY

C20

* GASKET,BOD & PLUG OF VITON/NBR

Ordering Example:

BBF-D-A4-C20-0/10kg/cm²-C20

Note: ● Due to continuous improvement,the specification may vary from time to time.